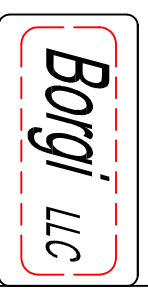
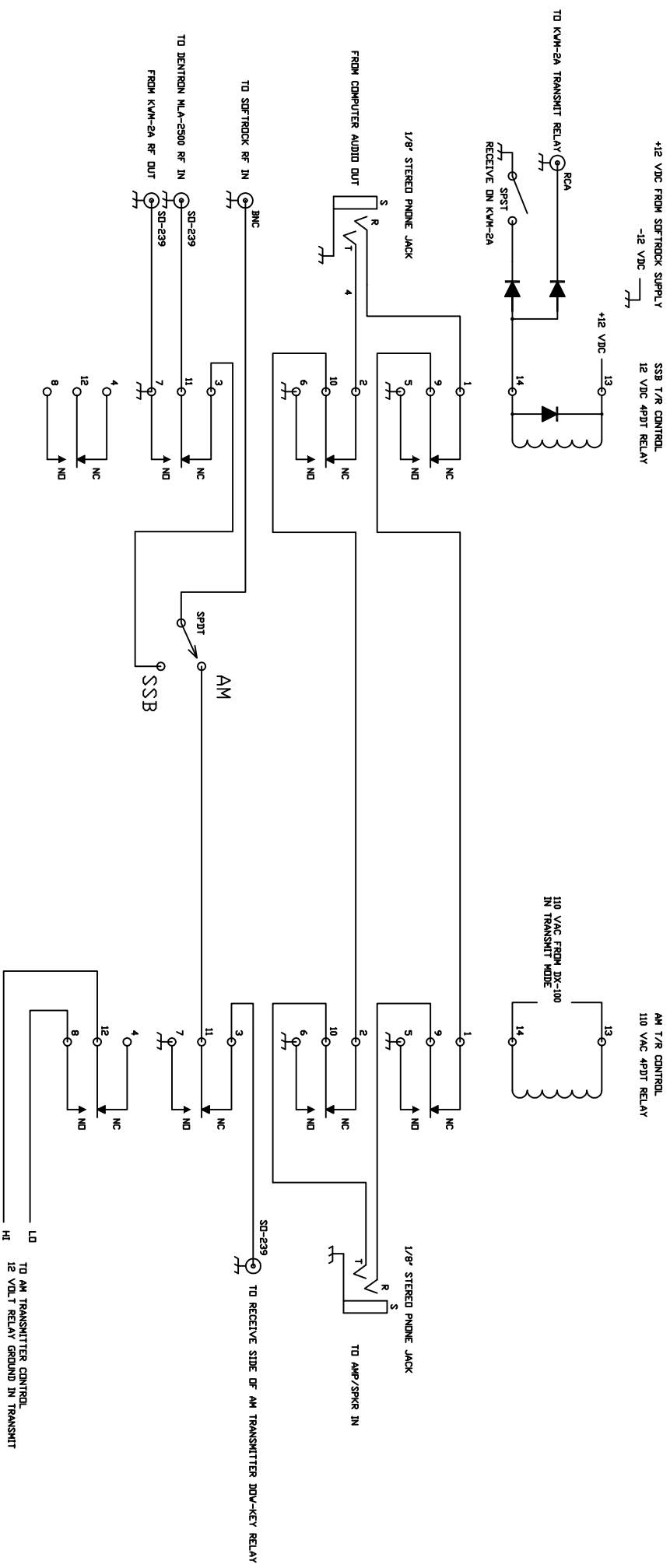


WHEN THE DX-100 IS IN TRANSMIT, (110 VAC TO THE AM T/R RELAY) THE RF TO THE SOFTROCK IS GROUNDED AND THE AUDIO FROM THE COMPUTER TO THE SPEAKERS IS BROKEN. THE AUDIO AMP INPUTS ARE GROUNDED. CONTACT CLOSURE TO AM TRANSMITTER CONTROL CIRCUIT.
 WHEN THE DX-100 IS IN RECEIVE, THE ANTENNA SIGNAL FROM THE AM TRANSMITTER DOWN-KEY IS PASSED ON TO THE SOFTROCK AND THE COMPUTER AUDIO PASSES TO THE AMP AND SPEAKERS. AM TRANSMITTER IN STANDBY.

WHEN THE KVM-2A IS IN TRANSMIT, (CLOSURE TO THE SSB T/R RELAY) THE RF TO THE SOFTROCK IS GROUNDED AND THE AUDIO FROM THE COMPUTER TO THE SPEAKERS IS BROKEN. THE AUDIO AMP INPUTS ARE GROUNDED.
 WHEN THE KVM-2A IS IN RECEIVE, THE ANTENNA SIGNAL THROUGH THE DENTRON AMP IS PASSED ON TO THE SOFTROCK AND THE COMPUTER AUDIO PASSES TO THE AMP AND SPEAKERS.
 IF SPST SWITCH IS CLOSED (RECEIVE ON KVM-2A) THEN THE ANTENNA RF GOES THROUGH TO THE KVM-2A, BYPASSING THE SOFTROCK.



REVISIONS		
NO.	DATE	DESCRIPTION
1	1/27/14	FIRST DRAFT

DESIGNER:	JIM BORGIOU	DATE:	1/27/2014
CHEK:			
PROJECT ENG:	JIM BORGIOU		
APPROVED BY:			

TITLE:	SOFTROCK CONTROL
SCALE:	1:3
SHEET:	1 OF 1
APPROVED FOR:	SOFTROCK CONTROL